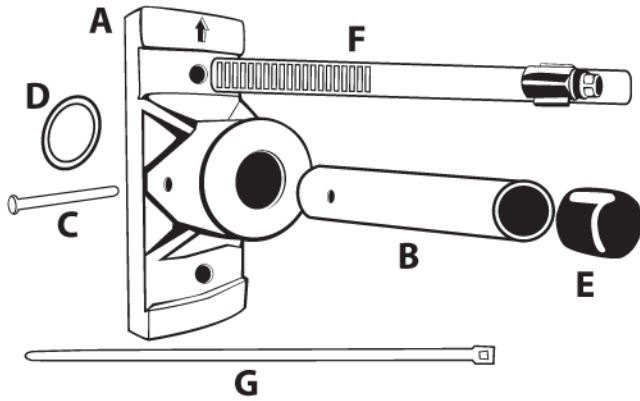
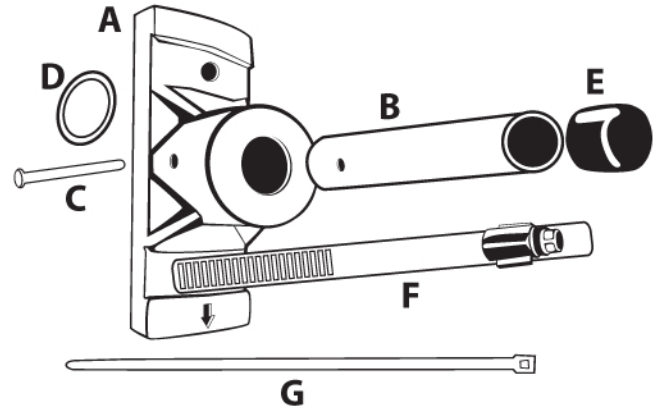


WindPro™ Storm Banner Bracket Assembly Instructions (pg 1 of 2)

TOP BRACKET
(arrow up)



BOTTOM BRACKET
(arrow down)



KITS CONTAIN:	SINGLE (SP)	DOUBLE (DP)
BASES (A)	2	4
RODS (B)	2	4
CLEVIS PINS (C)	2	4
SPLIT RINGS (D)	2	4
CAPS (E)	2	4
BANDS (CLAMPS) (F)	4	4
ZIP TIES (G)	2	4

TOOLS NEEDED:

- Flat blade screwdriver
- Mallet or Hammer
- Extension ladder or boom truck

DO NOT USE POWER TOOLS TO TIGHTEN BANDS AS THIS CAN CAUSE DAMAGE THAT WILL VOID ANY AND ALL WARRANTIES.

SINGLE (SP) INSTALLATION INSTRUCTIONS:

- 1.) Insert fiberglass rods (B) firmly into bracket bases (A). Twist until open holes line up. **Suggestion:** adding filicon or epoxy to the bracket hole helps reduce pole chatter and failure of the banner poles.
- 2.) Push clevis pin (C) through open hole. **NOTE:** rod and bracket holes must line up exactly and will be tight. Mallet/hammer can be used to tap pin through hole.
- 3.) Thread split ring (D) through hole in end of clevis pin (C) to secure.
- 4.) Place caps (E) onto ends of rods (B).
- 5.) Set top bracket (A) to desired height on pole; with arrow facing up. Secure in place using two bands (F). **NOTE:** Must use screwdriver to achieve correct tension.

6.) Measure down with bottom bracket and repeat above steps; be sure that the arrow on the bracket is pointing **down** or banner will not fit properly. **TIP:** After installing top bracket; attach banner to top rod and let fall. This will help determine where to install bottom bracket.

7.) Slide your banner over the top/bottom rods (B) and attached to the hardware system with supplied cable ties (G). Cable ties attach through grometts on banners and split rings (D) on bracket. Secure tightly, too tight will cause wrinkling in banner.

DOUBLE (DP) INSTALLATION INSTRUCTIONS:

Same as SINGLE (SP) instructions except use (2) brackets top and bottom, parallel to each other on the pole. You will still use the same amount of bands as a single kit. For double kits you may find it easier to install brackets to pole before inserting fiberglass rods into brackets.

See pg 2 for more information

WindPro™ Storm Banner Bracket Assembly Instructions (pg 2 of 2)

NOTE: If you are putting banner brackets on **wood poles**, the bands may slip because of expansion/contraction of wood. Therefore, you may want to drill holes in the brackets, which have starter holes and secure with tag bolts. Do not over tighten the bolts as this can crack a casting such as the brackets. It is a good idea to install the bands also.

MAINTENANCE GUIDELINES

We recommend new installations be visually inspected 30 days after initial installation to insure brackets are tight and trim, and every 60 days thereafter. Also, inspection should take place after unusually heavy windstorms, as abnormal gusts and flying debris may affect the quality of an installation.

- Banners which “whip” or “flutter” in the wind are not installed properly. This may cause undue wear and tear on the banner and eventually release from the bracket, which can heavily damage the banner. *Avoid this problem with inspections as suggested above. Repair loosened banners immediately.*
- Banners with puckers or stress lines along the fabric are too tight. Loosen and adjust the lower arm until banner is taut but smooth.

IMPORTANT INFORMATION CONCERNING OUR QUICK RELEASE BANDS:

- The quick release bands contain chemicals determined by the state of California to cause cancer, birth defects, or other reproductive harm.
- Proposition 65 mandates that the above warning accompany this product if sold in the state of California.

WARRANTY

WindPro™ Banner Brackets are warranted against manufacturer defect only. Over time the aluminum base will oxidize, this will NOT effect performance of the bracket system. If you are installing on an aluminum pole it will eventually match the sheen. ALWAYS inspect the stainless steel band clamps when reinstalling bracket system. It is more cost effective to replace at time of reinstallation than when failure occurs.